



# Handheld Computer System

The H2 Handheld Computer System provides a variety of functions for the M-series radios, including RF-based reading, configuration, and datalogging, as well as GPS and installation tools, all within an affordable, environmentally-hardened unit.

## Handheld Features

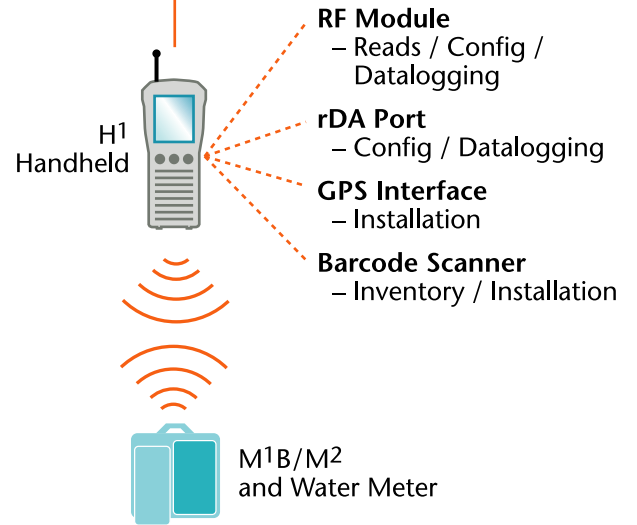
- Psion Workabout Pro handheld
- RF-module for radio reading and configuration and datalogging (M2 only)
- IrDA port for local reading, configuration and datalogging (M1B and M2)
- Warehouse and Environmentally-hardened models available
- Built-In WiFi and Bluetooth
- Lithium-Ion rechargeable battery to up to 12-hr field operation
- USB-based desktop cradle for interface and charging
- Optional Touchpad interface w/Northrup Grumann VersaProbe

## Specifications

Dimensions:	4.3W x 4.8H x 2.0D in 110W x 123H x 52D mm
Weight:	
Color Screen:	2.1W x 3.0H inch
Keypad:	Touchscreen with backlite
Scanner:	1D configurable (WA/LR) Side trigger buttons
Environmental:	IP67 rated
Temperature:	-4°F to -122°F -20°C to -50°C
Battery:	Lithium-Ion 7.4V 2200 mA 12 hr working / 4 hrs chg
Operating System:	Windows CE 5.0
Microprocessor:	Intel Xscale 400 MHz
Memory:	64MB RAM / 64MB Flash



Central Processing



## Software/Functions Included

- Route Software:**
  - Basic walk-by functionality
  - Manual readings
  - RF-based readings
  - Touchpad readings (w/ VP)
- Installation:**
  - Install Data Entry
  - ID Scan verification
  - GPS coordinate storage
  - RF verification
- Maintenance:**
  - Read and Diagnostics via RF or IrDA